

■ AC Power  
For Business-Critical Continuity™

## Liebert® GXT3™, 500VA - 3000VA Models

Reliable On-Line UPS Protection In A Compact 2U Package



**Liebert GXT3 is a true on-line UPS that delivers continuous, high-quality AC power to IT equipment with no break when transferring to battery. It protects equipment from virtually all power disturbances due to blackouts, brownouts, sags, surges or noise interference. The UPS is available in rack/tower and mini-tower configurations.**

One of the most affordable UPS systems in its class, Liebert GXT3 leads the industry in combining small size, high capacity and high reliability features:

- On-line design means zero transfer time from external to internal power. When utility power fails, your critical load remains supported by a seamless flow of power.
- Liebert GXT3 rated output power factor of 0.9 better matches up with switch-mode power supplies used in today's IT equipment. A higher output power factor allows for a more efficient utilization of the UPS.
- The UPS provides easy serviceability with user replaceable hot-swappable batteries.
- For maximum control, Liebert GXT3 is custom configurable to your needs using a specially designed Windows software package.
- ENERGY STAR® qualified models available.
- Trade Compliance: Public sector customers may select from four capacities (1000, 1500, 2000 and 3000 VA, 120V) to provide TAA compliance. Refer to Liebert GXT3-GVG3 models.

### Ideally suited for:

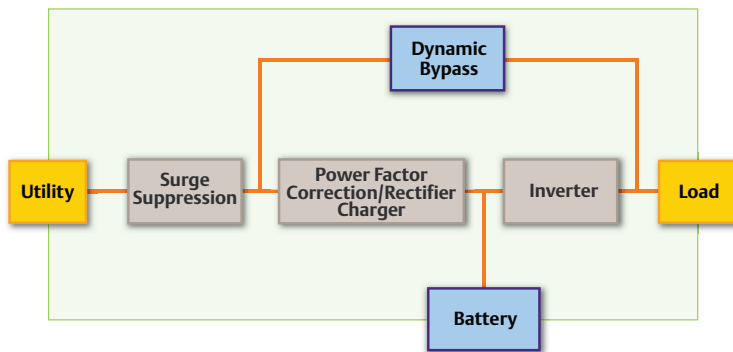
- PCs
- Network workstations
- Servers
- Network closets
- Large network peripherals
- VoIP

# Liebert GXT3 Standard Features

## The Proven Reliability Of True On-Line Operation Plus The Features You Need Most

Although Liebert® GXT3™ requires just a slim 2U of rack space, it provides the capabilities of a physically larger system. Get up to 3kVA of capacity and battery backup, in 120V or 230V systems. External battery cabinets may be added for extended run time.

### On-Line UPS Protection for Essential and Critical Applications



Liebert GXT3 is a true on-line power source, so whatever the quality of power coming in, the pure sine wave output meets the exacting standards of your equipment.

Liebert GXT3 includes:

- Power factor correction
- Internal batteries
- Frequency conversion
- Internal automatic bypass to utility in case of adverse UPS conditions
- Manual bypass capability
- Support for up to four external battery cabinets (rack/tower models)

Liebert GXT3 handles all these potential power problems:

- Power spikes and transients
- EMI/RFI noise
- Voltage sags and brownout conditions
- Harmonics
- Power-factor corrected loads
- Outages
- Frequency variations

### Flexibility:

#### Up To Six Battery-Backed Outlets

A generous quantity of battery-backed outlets allows more equipment to be protected by the UPS.

#### Rotatable Display Panel

The LED display panel rotates 90° to make the readout of the LED display easy to see in rack or tower position.

#### Automatic Frequency Sensing

The UPS automatically adjusts to the input frequency, 50Hz or 60Hz.

#### Mounting Flexibility

Optional telescoping rack rails mount to the sides of the UPS for easy installation into a rack enclosure. A standard tower support base ships with the UPS.



Liebert GXT3 is easily configured for either rackmount or tower applications. The LED display rotates for easy viewing in either orientation.



ENERGY STAR® qualified UPS models - UPS products meeting the EPA's requirements use an average of 35% less energy than their standard counterparts.



Liebert® GXT3™ contains internal batteries, and is also able to support up to four external battery cabinets – also 2U size.

## Higher Availability:

### Advance Early Warning of UPS System Status

Multiple audible and visual alarms immediately alert you to an output overload, low battery, bypass, battery discharge, battery loss or replace battery condition.

### 4-8 minutes of Battery Backup Time at Full load

Provides ample time for an orderly shutdown of connected equipment when utility power fails. Optional matching external battery cabinets offer additional backup time.

### Overload Capability

Designed to handle output overload conditions.

### Full Sequenced Battery Testing

Provides automatic and manual self-diagnostic battery testing capabilities. This provides a comprehensive analysis of the condition of the batteries within the UPS and will notify you when the internal batteries need to be replaced.

### User Replaceable Hot Swappable Batteries

Easy to replace batteries increase product life and provide prolonged UPS reliability. Batteries are conveniently located behind the front bezel of the unit.

## Lowest Total Cost Of Ownership:

### 0.9 Output Power Factor

Liebert GXT3 rated output power factor of 0.9 better matches up with switch-mode power supplies used in today's IT equipment. A higher output power factor allows for a more efficient utilization of the UPS.

### Wide Input Voltage Window

Prolongs battery life by allowing the UPS to maximize the use of utility power before transferring to battery when input voltage exceeds specified limits.

### Intelligent Fan Operation

Automatically changes rotation speed depending on system requirements to decrease power consumption and noise.

### Efficient Operation

≥ 88% AC-AC, minimum.

### Warranty Protection

The industry's best warranty – No-hassle two-year warranty with UPS replacement in the event of problems. Shipping is free for both original UPS return and the replacement unit. Optional one-year and three-year extensions also available.

### Power-Factor Correction

Prevents noise, harmonics and distortion from being passed on to connected loads or from being fed back to the utility.

### Internal Automatic and Manual Bypass Capability

Assures continuity of power to critical loads during system problems or maintenance.

### Intelligent Battery Management

Includes efficient three-stage charging technique and comprehensive discharging protection that extends battery life for greater availability.

### Input Circuit Breaker

Provides increased protection to ease recovery from overloads.

### Lightning and Surge Protection

The transient voltage surge suppression (TVSS) circuitry inside Liebert GXT3 provides additional protection for the connected equipment from incoming spikes, surges, and other power anomalies present on the incoming utility power source.

## Multiple Choices For Communication, Shutdown And Reporting:

### SNMP And Web-Based Communication Options

Liebert IntelliSlot® Web Card provides SNMP (including SNMPv3) and IPv6 and web-based management to your Liebert GXT3. Provides SNMP MIB to monitor and control your UPS from your network management station or any PC running Microsoft Internet Explorer.

- Network shutdown
- Sends both SNMP traps and emails for event notification, and automatically emails a daily UPS history
- Auto-senses 10M/100M Ethernet
- Compatible with shutdown software to ensure graceful computer shutdown

The Liebert GXT3 is also fully compatible with:

- Liebert MultiLink™ shutdown software –included with the Liebert GXT3 UPS
- Liebert Nform™ monitoring software
- Liebert Multiport multiplexing unit
- Liebert IntelliSlot Relay Interface Card

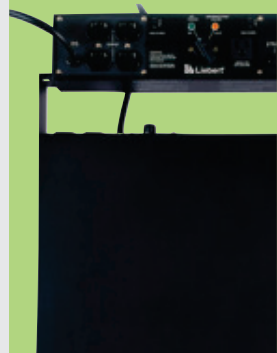
### USB Communications

Windows (98 and later) built-in power management functions provide monitoring of UPS status and manage the automatic orderly shutdown of the computer if a power outage ever exceeds the battery capacity of the UPS. Liebert MultiLink shutdown software can also be used via USB connection.

### Optional Liebert MicroPOD Output Distribution And Maintenance Bypass Module

When your computer system can't be without power, even for scheduled UPS maintenance, the Liebert MicroPOD Maintenance Bypass and Output Distribution Unit ensures continuous uptime. It allows you to manually transfer connected equipment to utility power via a maintenance bypass switch, permitting scheduled service or UPS replacement without the need to shut down connected equipment. Features include:

- 2U height minimizes rack space requirements
- Installs with plug-and-play ease
- Two-year, no-hassle replacement warranty



Liebert MicroPOD



Liebert GXT3 mini-tower model provides 1000VA capacity in a compact design.

## Specifications

Model Number	GXT3-500RT120	GXT3-700RT120	GXT3-1000RT120	GXT3-1000MT120
TAA Compliant Part Number	N/A	N/A	GVG3-1000RT120	N/A
Model Rating VA/W	500/450	700/630	1000/900	1000/900
Dimensions: in. (mm) DxWxH	19.7 x 16.9 x 3.4 (497 x 430 x 85)		15.4 x 6.9 x 8.9 (390 x 175 x 225)	
Weight: lbs. (kg)	44 (20)			
<b>Input AC Parameter</b>				
Voltage Range	120VAC nominal; variable based on output load			
Frequency	40Hz ~ 70Hz; Auto Sensing			
Input Power Cord	10 ft. attached w/ NEMA 5-15P plug			
<b>Output AC Parameter</b>				
Output Receptacles	5-15R x 6			
Voltage	110/115/120/127VAC (user-configurable); ±3%			
Waveform	Sine wave			
<b>Battery</b>				
Full Load	17 minutes	11 minutes	7 minutes	7 minutes
Half Load	34 minutes	27 minutes	17 minutes	17 minutes
Recharge Time	6 Hours to 90% capacity after full discharge with 100% load till UPS auto-shutdown			
<b>Agency</b>				
Safety	UL 1778, cUL Listed			
RFI/EMI	FCC Part 15, Class A=CISPR22 Class B			
Surge Immunity	IEC 62040-2 2nd Ed			
Transportation	ISTA Procedure 1A			
ENERGY STAR® qualified	No	Yes	Yes	No
Model Number	GXT3-1500RT120	GXT3-2000RT120	GXT3-3000RT120	GXT3-3000RT208
TAA Compliant Part Number	GVG3-1500RT120	GVG3-2000RT120	GVG3-3000RT120	N/A
Model Rating VA/W	1500/1350	2000/1800	3000/2700	3000/2700
Dimensions: in. (mm) DxWxH	19.7 x 16.9 x 3.4 (497 x 430 x 85)		23.7 x 16.9 x 3.4 (602 x 430 x 85)	
Weight: lbs. (kg)	48.5 (22)	52.9 (24)	61.7 (28)	61.7 (28)
<b>Input AC Parameter</b>				
Voltage Range	120VAC nominal; variable based on output load		208VAC nominal; variable based on output load	
Frequency	40Hz ~ 70Hz; Auto Sensing			
Input Power Cord	10 ft. attached w/ NEMA 5-15P plug	10 ft. attached w/ NEMA 5-20P plug	10 ft. attached w/ NEMA L5-30P plug	10 ft. attached w/ NEMA L6-20P plug
<b>Output AC Parameter</b>				
Output Receptacles	5-15R x 6	5-20R x 6	L5-30R x 1+5-20R x 6	L6-20R x 1+L6-15R x 2
Voltage	110/115/120/127VAC (user-configurable); ±3%		208/220/230/240 VAC (user-configurable); ±3%	
Waveform	Sine wave			
<b>Battery</b>				
Full Load	4 minutes	3 minutes	3 minutes	3 minutes
Half Load	11 minutes	11 minutes	11 minutes	11 minutes
Recharge Time	6 Hours to 90% capacity after full discharge with 100% load till UPS auto-shutdown			
<b>Agency</b>				
Safety	UL 1778, cUL Listed			
RFI/EMI	FCC Part 15, Class A=CISPR22 Class B			
Surge Immunity	IEC 62040-2 2nd Ed			
Transportation	ISTA Procedure 1A			
ENERGY STAR® qualified	Yes	Yes	Yes	Yes

### Emerson Network Power Liebert Corporation World Headquarters

1050 Dearborn Drive  
P.O. Box 29186  
Columbus, Ohio 43229  
United States Of America  
800 877 9222 Phone (U.S. & Canada Only)  
614 888 0246 Phone (Outside U.S.)  
614 841 6022 FAX  
Contact@EmersonNetworkPower.com

**Emerson Network Power  
Caribbean and Latin America**  
Office – United States of America  
+1-954-984-3452 Phone  
Ask.Cala@Emerson.com

**liebert.com**  
**24 x 7 Tech Support**  
800 222 5877 Phone  
614 841 6755 (outside U.S.)

**Emerson Network Power.**  
The global leader in enabling  
*Business-Critical Continuity™.*

While every precaution has been taken to ensure accuracy and completeness in this literature, Liebert Corporation assumes no responsibility, and disclaims all liability for damages resulting from use of this information or for any errors or omissions.

© 2013 Liebert Corporation. All rights reserved throughout the world. Specifications subject to change without notice.

All names referred to are trademarks or registered trademarks of their respective owners.  
© Liebert is a registered trademark of the Liebert Corporation.

SL-23182 (R03/13) Printed in USA

*Business-Critical Continuity*, Emerson Network Power and the Emerson Network Power logo are trademarks and service marks of Emerson Electric Co.  
©2013 Emerson Electric Co.

### Emerson Network Power.

The global leader in enabling  
*Business-Critical Continuity™.*

- AC Power
- Connectivity
- DC Power
- Embedded Computing
- Embedded Power
- Industrial Power
- Infrastructure Management & Monitoring
- Outside Plant
- Power Switching & Controls
- Precision Cooling
- Racks & Integrated Cabinets
- Services